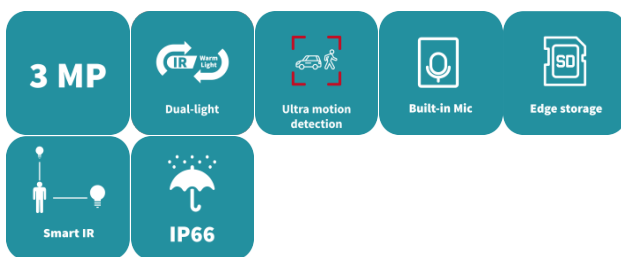


3MP 4G Solar Battery PT Camera

Uho-P2G-M3F4D-LA



Features

- High quality image with 3MP, 1/2.8" CMOS sensor
- 2304*1296@15fps in the main stream
- Support 4G access to the network
- Ultra 265, H.265
- Built-in Mic & Speaker, support two-way audio, offer better interaction
- Smart IR, up to 30 m (98 ft) IR and 30m (98 ft) warm light distance, suitable for more scenes
- Supports 512 GB Micro SD card
- IP66 ingress protection
- The front face is made of grapheme, which has better heat dissipation and more environmental protection
- Supports standard and polar night scene modes

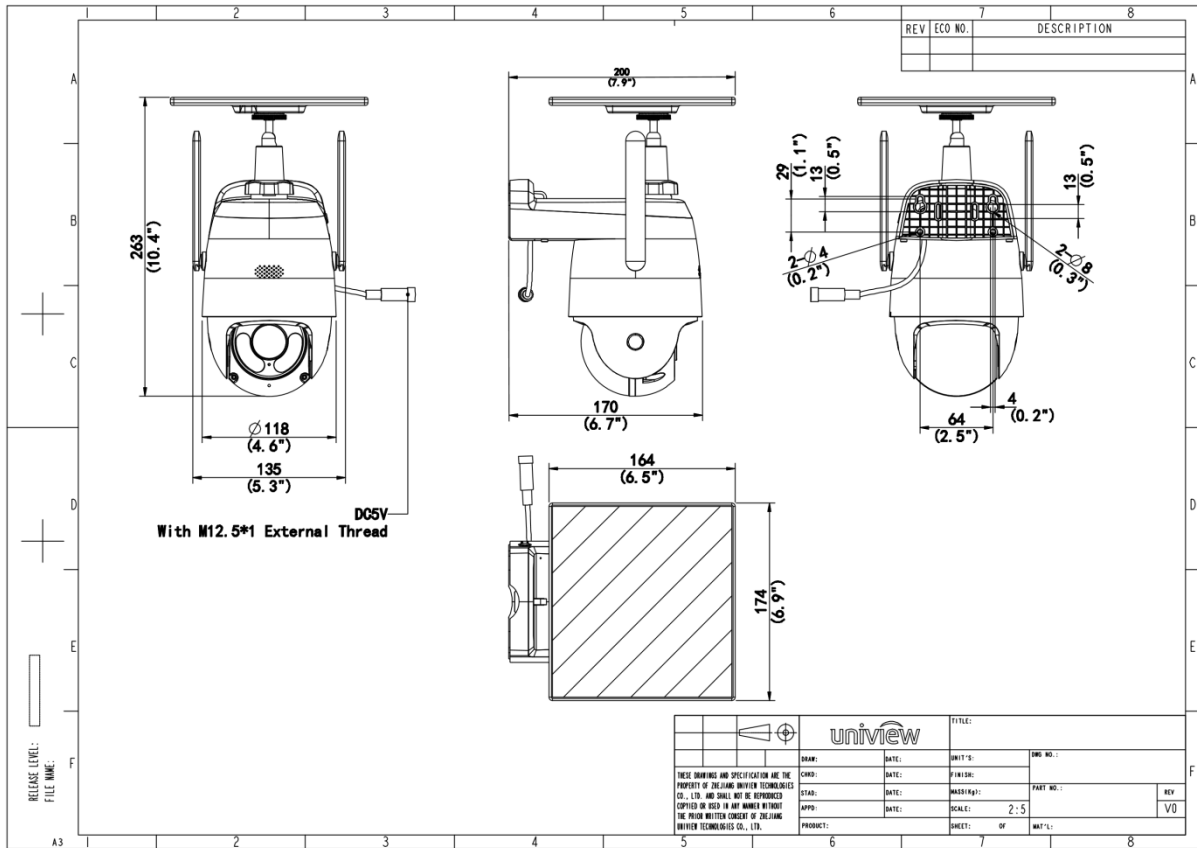
Specifications

Model	Uho-P2G-M3F4D-LA
Camera	
Max Resolution	3 MP
Sensor	1/2.8" CMOS
Min. Illumination	Colour: 0.001Lux (F1.0, AGC ON) 0 Lux with IR on
Day/Night	IR-cut filter with auto switch (ICR)
S/N	> 52 dB
WDR	N/A
Lens	
Focal Length	4.0 mm
Iris Type	Fixed
Iris	F1.0
Field of View (H)	87.5°
Field of View (V)	46.3°
Field of View (D)	92.4°
Lens Type	Fixed
DORI	
DORI Distance (Lens)	4.0mm
DORI Distance (Detect)	62.1 (203.6ft)
DORI Distance (Observe)	24.8 (81.5ft)
DORI Distance (Recognize)	12.4 (40.7ft)
DORI Distance (Identify)	6.2 (20.4ft)
Illuminator	
Supplemental Light	Dual light
Illumination Distance (IR)	30 m (98.4 ft.)
Illumination Distance (Warm Light)	30 m (98.4 ft.)
Wavelength	850 nm
IR On/Off Control	Auto
Video	
Video Compression	Ultra 265, H.265
Frame Rate	Main Stream: 3MP (2304*1296), Max 15fps; 720P (1280*720), Max 15fps; D1 (720*576), Max 15fps;
Video Bit Rate	256 Kbps to 1024 Kbps
U-code	Support
OSD	Up to 1 OSD
ROI	N/A
Video Stream	Single stream
Image	
White Balance	Auto

Digital Noise Reduction	2D/3D DNR
Smart IR	Support
Flip	Normal
Dewarping	N/A
HLC	N/A
BLC	N/A
Events	
Basic Detection	Ultra motion detection
General Function	RTSP authentication, User authentication, HTTP authentication
Intelligent	
Auto Tracking	N/A
Audio	
Audio Compression	G.711U
Audio Bitrate	64 Kbps
Two-way Audio	Support
Suppression	Support
Sampling Rate	8 kHz
Storage	
Edge Storage	MicroSD, up to 512 GB
Network Storage	ANR
Network	
4G Network Frequency	LTE-FDD: B2/B3/B4/B5/B7/B8/B28/B66 LTE-TDD: B38/B40/B41
4G Network Standard	LTE-FDD, LTE-TDD
4G Card Type	Nano-SIM
Protocols	IPv4, TCP, UDP, DHCP, RTSP, DNS, DDNS, HTTP, SSL/TLS
Compatible Integration	API
Client	APP, Uniarch client
PTZ	
Pan Range	0° ~ 345°
Pan Speed	1°/s ~ 40°/s Preset speed: 40°/s
Tilt Range	0° ~ 90°
Tilt Speed	1°/s ~ 30°/s Preset speed: 30°/s
Number of Presets	N/A
Interface	
Audio I/O	N/A
Alarm I/O	N/A
Built-in Mic	Support
Built-in Speaker	Support
WIFI	N/A
Network	1 × RJ45 10 M/100 M Base-TX Ethernet (For testing purposes only, cable connection is not

	available.)
Solar Panel	
Output Voltage	5 V
Output Current	1 A
Output Power	5 W
Structure / Environment	
Battery Capacity	10 Ah
Certification	
EMC	CE EMC (EN 50130-4,EN 61000-3-3,EN IEC 61000-3-2,EN 55035)
Safety	CE LVD (EN 62368-1)
Environment	CE-RoHS (2011/65/EU;(EU)2015/863); WEEE (2012/19/EU);
Protection	IP66 (IEC 60529)
General	
Power Consumption	Max 4.0W AOV mode: 100mW
Power	DC 5V/2A Micro USB interface
Power Interface	USB Type-C
Dimensions	Φ118mm*170mm*263mm (Φ4.6"x 6.7"x 10.4")
Weight	1.06kg (2.33lb)
Working Environment	0 °C to 50 °C (32 °F to 122 °F), Humidity: ≤ 95% RH (non-condensing)
Storage Environment	0 °C to 50 °C (32 °F to 122 °F), Humidity: ≤ 95% RH (non-condensing)
Surge Protection	4 KV
Reset Button	Support
LED Indicator	1, green

Dimensions



Zhejiang Uniview Technologies Co., Ltd.

- <http://www.uniview.com>
- overseasbusiness@uniview.com; globalsupport@uniview.com
- No. 369, Xietong Road, Xixing Sub-district, Binjiang District, Hangzhou City, 310051, Zhejiang Province, China



©2023-2025 Zhejiang Uniview Technologies Co., Ltd. All rights reserved.

*Product specifications and availability are subject to change without notice.

*Despite our best efforts, technical or typographical errors may exist in this document.

Uniview cannot be held responsible for any such errors and reserves the right to change the contents of this document without prior notice.