



Technology that saves lives

Fire Alarm Audio Notification System

ANS2 Series



Overview

The ANS series of products is a collection of high-performance audio notification systems that provide voice evacuation capability which meets the emergency voice alarm requirements of NFPA 72 for UL listed fire alarm applications. ANS panels are available in 25, 50, or 100 Watt models and include a microphone, amplifier, tone generator, digital message repeater (DMR), and supervisory interface.

These self-contained systems offer robust field-configurable features and are supported by a wide range of accessory equipment that provides application flexibility and reliable performance for new and retrofit installations alike.

Expander panels and modules extend the range of the ANS system to meet the needs of demanding audio applications. Accessory equipment such as zone switchers and remote microphones offer the sophistication of high-end systems for a relatively low cost.

ANS systems are ideal for use with Kidde fire alarm control panels when emergency voice alarm service is required. Genesis speakers and speaker-strobes may be used with ANS audio systems to provide a clean and attractive appearance for voice audio applications.

Standard Features

- Meets NFPA 72 Emergency Voice Alarm requirements
- Easy to use custom configuration software
- Clean dead-front construction
- Integrated field recordable digital message player
- Twenty minute message capacity
- 25, 50, or 100 Watt models available
- Field selectable for either 25 or 70 Vrms speakers
- 120 VAC power supply and battery charger included
- Paging microphone overrides message and tone
- ANS25 and ANS100 systems are 520Hz compliant
- High reliability, low maintenance
- Fully supervised, UL listed
- Easy installation, operation, and configuration
- Built-in alarm and alert signals
- 24-hour backup capability

Application

National fire codes generally require voice evacuation systems in places of assembly with over 300-person occupancy, in theatres with more than one screen, and in buildings seven stories or higher. ANS Series Audio Notification Systems represent an effective and efficient solution for meeting these requirements.

ANS systems are ideal for new applications with fire control panels that do not provide integrated audio functions. These audio systems also provide the opportunity to add voice evacuation capability to existing fire alarm applications without replacing existing fire alarm control equipment.

The fire alarm control panel works in concert with the ANS audio system, providing all initiating circuitry and a signaling circuit that connects to the ANS. The ANS provides its own internal supervision as well as supervision for its speaker lines.

Faults are reported back to the fire alarm control panel by means of a supervisory circuit, which is connected to a matching EOLR on the ANS. Internal failures and speaker line faults open a con-

tact, which the fire alarm control panel reports as an open fault on the supervisory circuit.

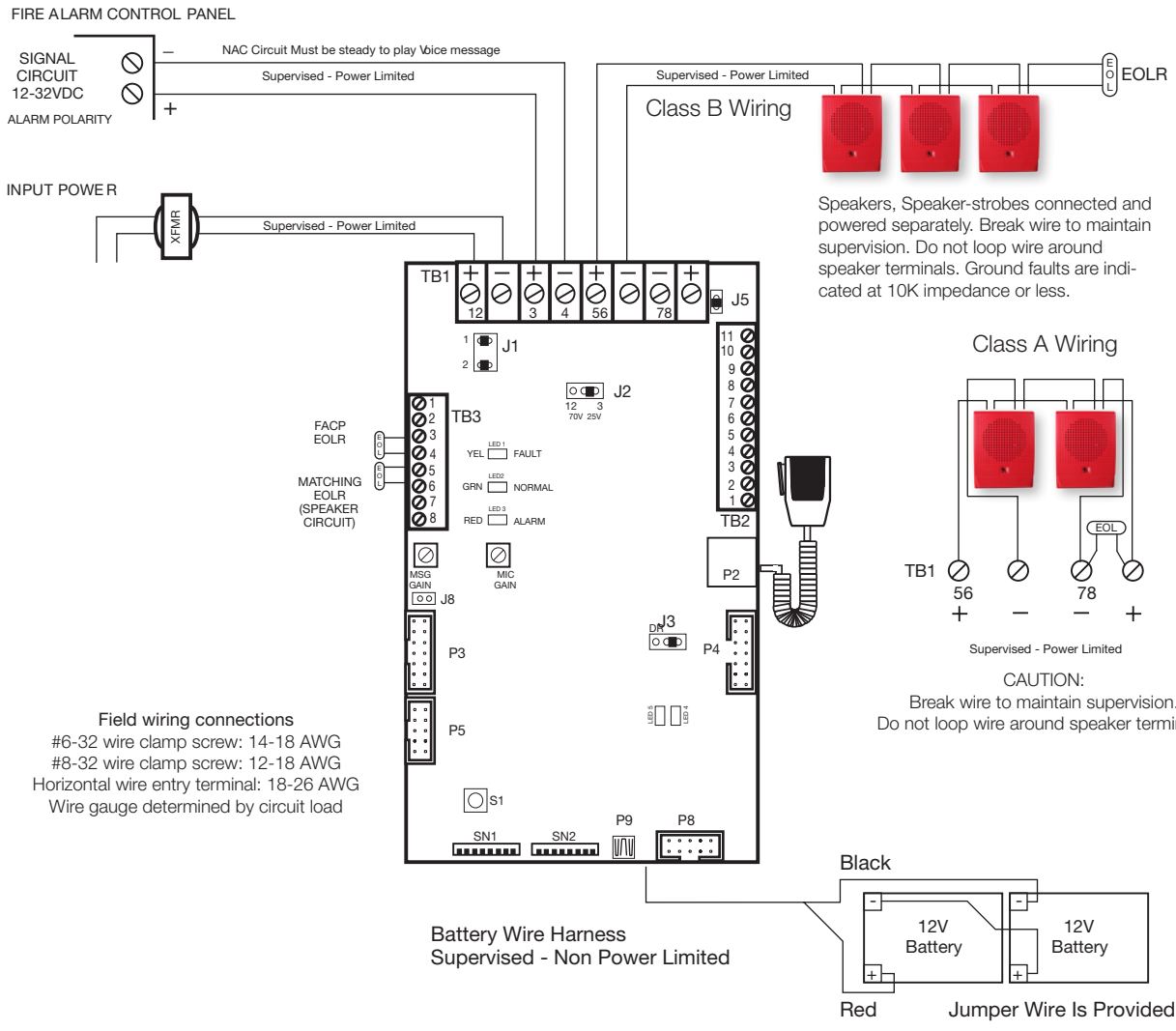
A digital message repeater (DMR) is built into all ANS systems unless ordered without the DMR. Up to 20 minutes of custom messages can be uploaded in the field with the use of a laptop and the *ANSCONFSOFT1* configuration software. In addition, the selection from eight available alarm tones, automatic message repeats, AC fault report delay, and connected equipment settings are all field-configurable.

The paging microphone is an integral component of the audio notification system. Removal of the microphone from the panel will cause a Trouble condition. This is reported locally, as well as through the fire alarm control panel.

All ANS panels include a 120 V, 60 Hz supply (standby batteries are required). Optionally, ANS panels can be powered with 24vdc from the fire alarm control panel or a booster power supply. Where speaker-strobes are used, strobe power is provided by the fire alarm control panel or a booster power supply.

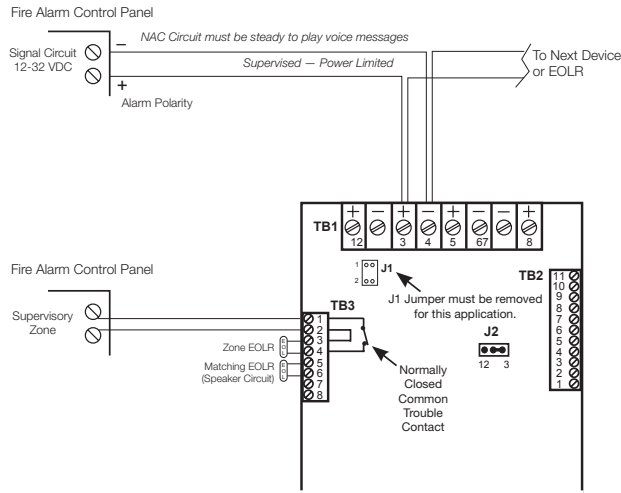
Typical Wiring

ANS 25, 50, 100

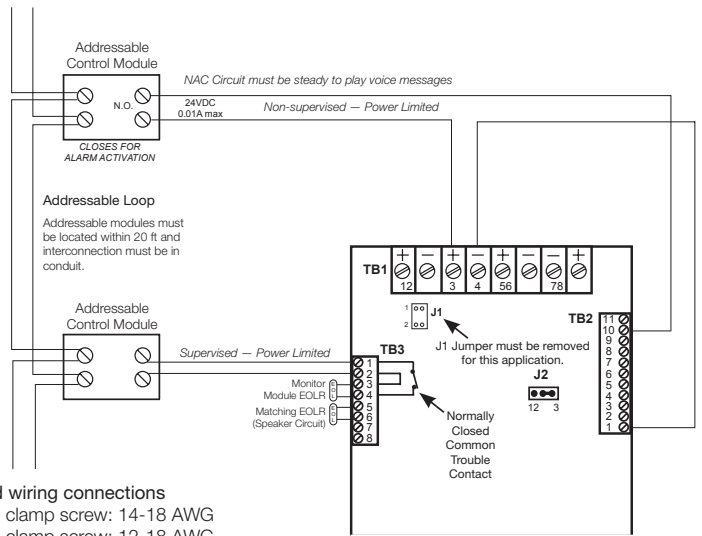


Application Drawings

Optional Supervisory Circuit

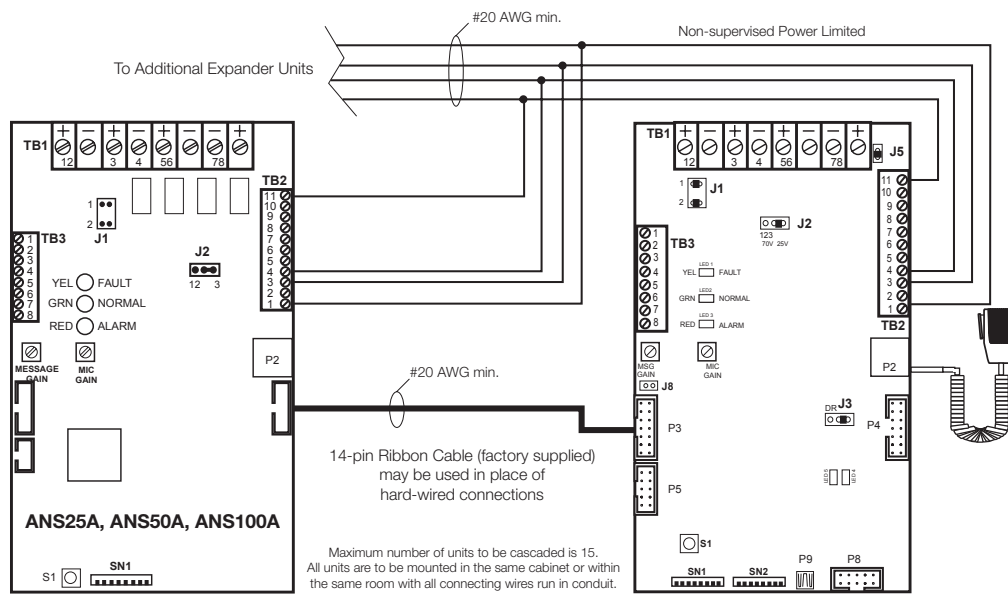


Addressable System

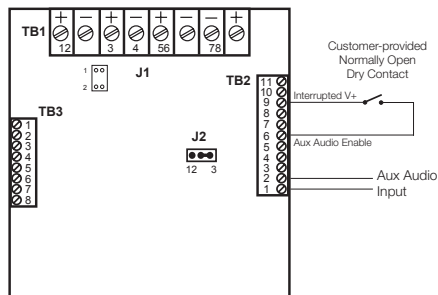


Field wiring connections
 #6-32 wire clamp screw: 14-18 AWG
 #8-32 wire clamp screw: 12-18 AWG
 Horizontal wire entry terminal: 18-26 AWG
 Wire gauge determined by circuit load

Multiple Unit Connection



Aux Audio Enable Connection



Field wiring connections
 #6-32 wire clamp screw: 14-18 AWG
 #8-32 wire clamp screw: 12-18 AWG
 Horizontal wire entry terminal: 18-26 AWG
 Wire gauge determined by circuit load

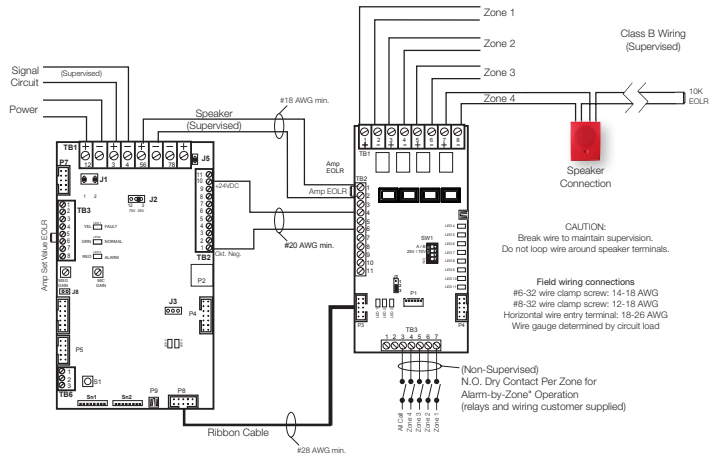
Accessory Equipment

Zone Splitter



The ANSZM4B2A Zone Splitter Module is used to enable the output of the ANS25, ANS50 or ANS100 to be split into multiple circuits for audio power distribution. The module accepts input from the ANS speaker output and utilizes output relays to distribute the power to separate circuits. The module may be cascaded to increase the number of circuits, and provides supervision of the individual circuits for either open or short conditions. Indicator LEDs display active or fault conditions for the individual circuits. A fault condition is reported to the ANS via the I2C communication port. The Zone Splitter Module may also be used with legacy ANS models, but in these cases supervision must employ TB2 Terminals 10 - 11 as a supervisory input.

If Manual control of the circuits is required, an ANSSW8 must be employed. Zones may then be selected manually by switches or through pull-down inputs. In the event of an alarm condition, the module defaults to an All-Call. All-Call feature may only be overridden if accompanying panel has zone control features.



ANSZM4B2A Zone Splitter Module
Typical Wiring

Expander Panels and Modules

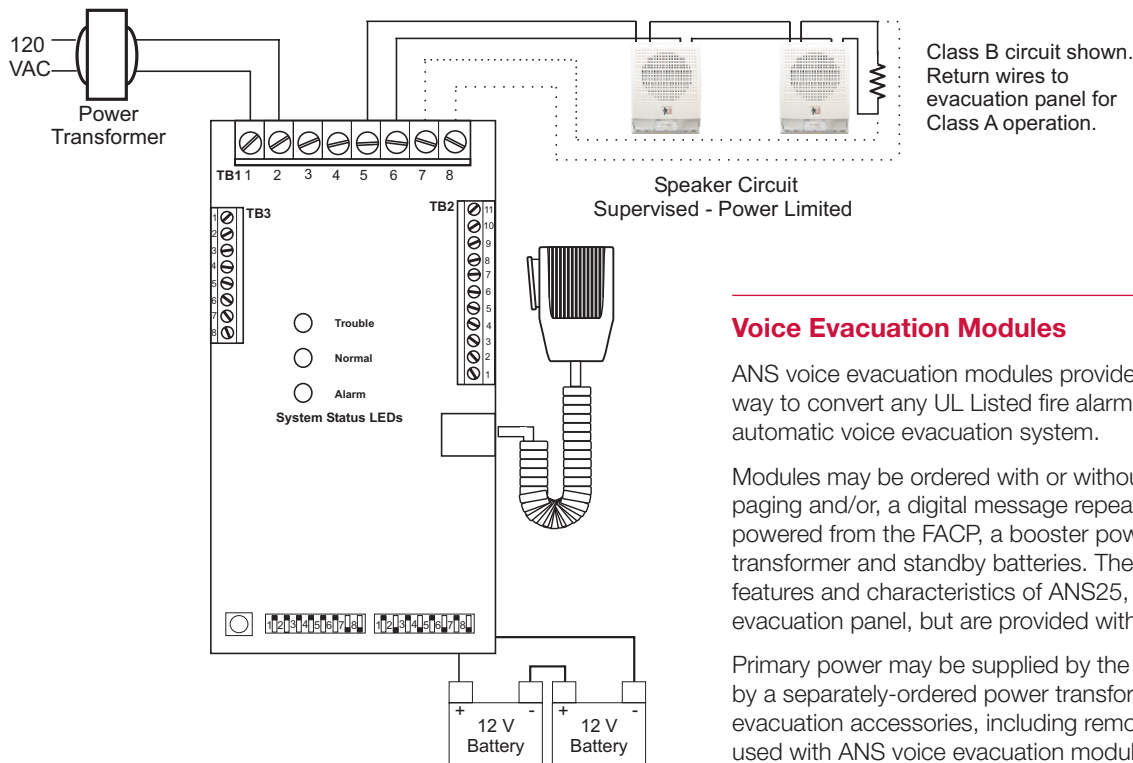


Audio Notification System expander panels and modules provide an easy and cost-effective way to increase the output power of ANS25, ANS50 or ANS100 voice evacuation systems.

Audio Notification System panels include an audio amplifier, temporal pattern alarm tone, power supply

and battery charger. They can be ordered with or without a paging microphone and/or digital message repeater.

Audio Notification System modules do not include cabinets, and are intended to be mounted in a UL Listed enclosure. They can be ordered with or without a paging microphone and or digital message repeater. Voice evacuation expanders may be ganged together in any combination to provide up to 2,000 Watts of audio power.



Voice Evacuation Modules

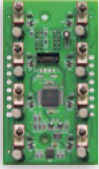
ANS voice evacuation modules provide an easy and cost-effective way to convert any UL Listed fire alarm panel or system to an automatic voice evacuation system.

Modules may be ordered with or without a microphone for manual paging and/or, a digital message repeater (DMR). Modules can be powered from the FACP, a booster power supply or an optional transformer and standby batteries. They provide all the operational features and characteristics of ANS25, ANS50, or ANS100 voice evacuation panel, but are provided without the enclosure.

Primary power may be supplied by the fire alarm control panel or by a separately-ordered power transformer. Any of the ANS voice evacuation accessories, including remote microphones, may be used with ANS voice evacuation modules. Expander modules can also be added in any combination to provide up to 2,000 Watts of audio power in a single voice evacuation system.

Accessory Equipment

ANSSW8 Switch/LED Card



The ANSSW8 is an optional control/indication module that includes eight momentary contact switches and eight tri-color (green/red/amber) LEDs. Switches may be programmed for paging, emergency message activation, or control functions. When used in conjunction with the ANSZM4B2A Zone Splitter, the ANSSW8 may be programmed for zone paging. LEDs for switches assigned to page zones will indicate steady red for *Page* and flashing red for *Alarm*. An emergency message broadcast to any zone will indicate green. The zone LED will indicate amber if the associated speaker zone is in fault condition.

Switches programmed for messages indicate Green when selected. Only one message is active at a time. If a higher priority message is activated while a message is playing, its associated LED will go off and the higher priority message LED will indicate. A fire alarm condition will override all other messages in the queue and the associated fire alarm message will be broadcast immediately.

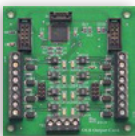
Switches may alternately be programmed for control functions. On a switch activation, a corresponding point on an ANSXM8 Output Card will follow. Switch LEDs indicate red on activation.

ANSDC8 Intelligent Input Interface Card

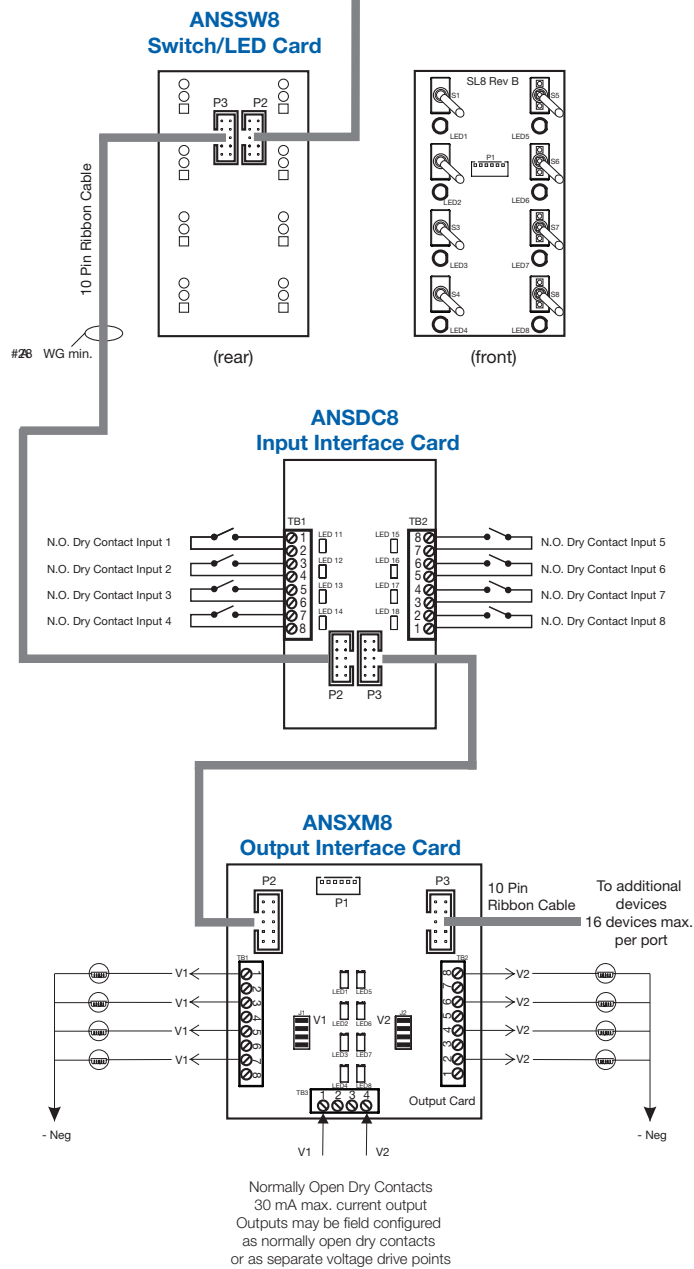
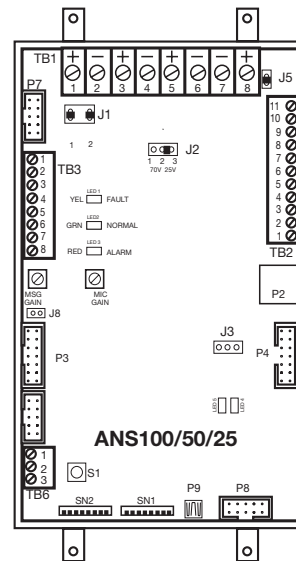


The ANSDC8 is an intelligent input interface card with eight input points and eight corresponding red input LEDs. The ANSDC8 accepts external normally-open dry contacts. Inputs may be programmed for message activation or control functions. On activation of an input point the corresponding input LED turns on.

ANSXM8 Intelligent Output Interface Card



The ANSXM8 is an intelligent output interface card with eight output points and eight red LEDs. Outputs are solid-state normally-open dry contacts rated at 30 mA max @ 0 - 24 V. They may be field configured as normally-open dry contacts, or as separate voltage drive points. When used as drive points, each output can be tied to a specified voltage from zero to 24 volts, and feed the designated voltage as a drive point. Outputs 1 through 4 and Outputs 5 through 8 may linked to the same or different voltage references. Outputs may be programmed to follow a message activation, a page, or a control function. On activation the corresponding input LED will indicate.



Accessory Equipment

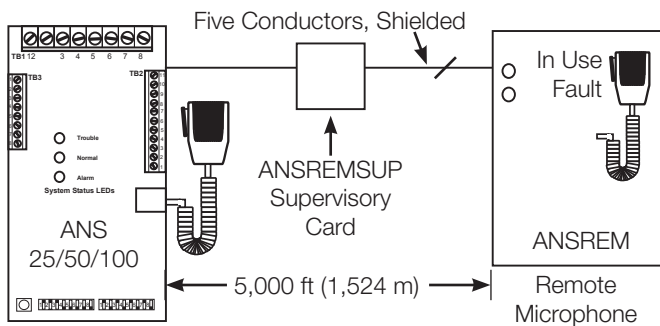
Remote Microphone Panel



The ANSREM is a supervised remote microphone for use with the ANS voice evacuation system. The microphone provides crystal-clear live voice messages over the system speakers.

Up to five ANSREM panels may be connected to a single ANSREMSUP supervisory card. This provides supervision of the wires to the ANSREM and supports wiring distances of up to 5,000 feet (1,524 meters).

The ANSREM is housed in an attractive surface or semi-flush mounted enclosure, with a hinged locking door. It features dead-front construction, a microphone with a "Press-to-Talk" button, and discreet LEDs that indicate In-Use and Fault status.



Remote Microphone Panel Dimensions:
8" H x 10" W x 3" D (203 mm x 254 mm x 76 mm)

Standard Message

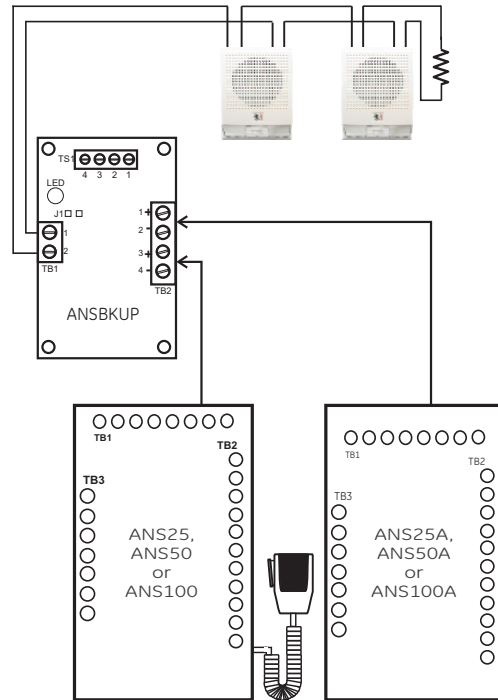
This message is included with the ANS 25/50/100.

(Female Voice) *"Attention Please, there has been a report of an emergency. Proceed calmly to the nearest exit and leave the building immediately. Do not use the elevators, use stairwells where necessary. All handicapped occupants shall use the building evacuation plan."*

Backup Amplifier Switching Card



The ANSBKUP switching card continually monitors the primary amplifier for signs of failure. Should the amplifier fail, the ANSBKUP automatically activates a backup amplifier. A single amplifier can be used to back up one or more amplifiers of equal or lesser wattage. One ANSBKUP is required for each amplifier being backed up. The backup amplifier does not require its own microphone and digital message repeater unless a fully redundant voice evacuation system is required.



Note: Back-up amplifier does not require microphone or DMR.

Engineering Specification

The voice evacuation system shall be ANS Series or approved equal. The voice evacuation system shall provide <25><50><100> Watts signal power and <25><50><100> Watts voice power, and shall be UL Listed.

All speaker circuits shall be field selectable for 25 or 70 Vrms operation and shall be power limited.vav

The voice evacuation system shall be microprocessor based, and shall contain an integral microphone, <25><50><100> Watt audio amplifier, tone generator, digital message repeater, 120 VAC power supply, and battery charger.

The voice evacuation message/signal shall be broadcast until the Fire Alarm Control Panel (FACP) is reset, or until fire emergency personnel interrupt the broadcast with a manual page. On reset system shall automatically return to standby (normal operating) condition.

A secondary message shall be provided that can be triggered by the closure of a contact from either the FACP or from any normally open contact device.

Remote paging microphone(s) will be supported by the system through a supervised circuit. Remote microphone(s) may be mounted up to 5,000 ft. (1,524 m) away from the voice evacuation panel.

Specifications

Model		ANS25	ANS50	ANS100
Output power		25 W	50 W	100 W
Output voltage		25 or 70 Vrms selectable		
Output protection		Power-limited, open and short circuit protected		
Input voltage		120 Vac at 60 Hz		
Input current		0.8 A @ 120 Vac	0.5 A @ 120 Vac	1.0 A @ 120 Vac
Optional 24 Vdc input ¹				
	Standby	0.60 A	0.60 A	0.60 A
	Alarm	1.00 A	1.00 A	2.60 A
	Sine	2.90 A	3.40 A	6.50 A
Frequency response		800 - 2800 Hz	400 - 4000 Hz	
Dimensions		Rough-in: 14.5 x 18 x 4" (368 x 457 x 102 mm) Finished Door: 16.25 x 19.5" (413 x 495 mm)		
Battery Type		Two 12 V Gel Cell in series		
Battery size				
	Minimum	24 V, 7 Ah	24 V, 7 Ah	24 V, 7 Ah
	Maximum	24 V, 18 Ah	24 V, 18 Ah	24 V, 24 Ah
Battery Standby Operating Time		24-60 Hours in Standby 15 minutes in Alarm		
Battery Charging Current		800 mA		
Battery Input current		Full speaker load, no aux load:		
	Standby	0.18 A	0.15 A	0.16 A
	Alarm	1.10 A	0.80 A	0.60 A
Battery Input Current		Full speaker load, full aux load of 0.5 A:		
	Standby	1.10 A	1.00 A	1.10 A
	Alarm	2.50 A	1.10 A	2.00 A

¹ *Input current* measurements are determined using test conditions specified in UL 1711. *Sine* represents measurements made while the unit produces a continuous, undistorted sine wave of 1 kHz into the rated load of 25, 50, or 100 W at the rated output voltage. *Alarm* is the average current the unit experiences delivering an alarm signal, temporal whoop, to the rated load. *Standby* is the current draw of the unit with all normal power on and auxiliary terminals fully loaded. *Battery standby* is the current draw from the batteries on loss of power in an otherwise normal standby state.



Technology that saves lives

Contact us...

Email: kidde.fire@fs.utc.com
 Web: kidde.com/engineeredsystems

1016 Corporate Park Drive
 Mebane, NC 27302

Kidde is a registered mark in the United States and other countries.

© 2018 Walter Kidde Portable Equipment.
 All rights reserved.

Ordering Information

Part Number	Description	Wt. lb (kg)
Audio Notification Panels		
<i>Audio Notification Panels include DMR, Power Supply & Battery Charger, Standard Message, Microphone, and Cabinet.</i>		
ANS100MDG2	100 Watt Audio Notification Panel. Gray Cabinet.	32 (14.5)
ANS100MDR2	100 Watt Audio Notification Panel. Red Cabinet.	32 (14.5)
ANS25MDG2	25 Watt Audio Notification Panel. Gray Cabinet.	29 (13.2)
ANS25MDR2	25 Watt Audio Notification Panel. Red Cabinet.	29 (13.2)
ANS50MDG2	50 Watt Audio Notification Panel. Gray Cabinet.	32 (14.5)
ANS50MDR2	50 Watt Audio Notification Panel. Red Cabinet.	32 (14.5)
Expander Panels		
ANS100XG	100 Watt Audio Expander Panel. Gray Cabinet.	32 (14.5)
ANS100XR	100 Watt Audio Expander Panel. Red Cabinet.	32 (14.5)
ANS25XG	25 Watt Audio Expander Panel. Gray Cabinet.	29 (13.2)
ANS25XR	25 Watt Audio Expander Panel. Red Cabinet.	29 (13.2)
ANS50XG	50 Watt Audio Expander Panel. Gray Cabinet.	32 (14.5)
ANS50XR	50 Watt Audio Expander Panel. Red Cabinet.	32 (14.5)
<i>Panels include power supply and battery charger".</i>		
Zone Splitters		
ANSZM4B2A	Zone Module. 4 Class B or 2 Class A circuits.	
Remote Microphones		
ANSREMG	Remote microphone. Requires ANSREMSUP card in ANS panel. Gray surface/semi-flush cabinet. Supervised.	8 (3.6)
ANSREMR	Remote microphone. Requires ANSREMSUP card in ANS panel. Red surface/semi-flush cabinet. Supervised.	8 (3.6)
ANSREMSUP	Remote microphone supervisory card, one per system. Supervises up to 5 remote microphones.	1 (0.5)
Backup Amplifier Modules		
ANSBKUP	Backup amplifier switching module.	1 (0.5)
Modules		
ANS100A	100 Watt expander module.	5 (2.3)
ANS100AMD2	100 Watt audio notification module with DMR and microphone.	5 (2.3)
ANS25A	25 Watt expander module.	5 (2.3)
ANS25AMD2	25 Watt audio notification module with DMR and microphone.	5 (2.3)
ANS50A	50 Watt expander module.	5 (2.3)
ANS50AMD2	50 Watt audio notification module with DMR and microphone.	5 (2.3)
ANSDC8	8 dry-contact input/LED module.	
ANSSW8	8 position switch/LED module.	
ANSXM8	8 transistor output/LED module.	
Custom Messages (for ANS1 Series only)		
ANSDMRALT	Alternate prerecorded DMR message PROM from library.	
ANSDMRCUSTOM	Custom recorded message PROM. Call customer service for quotation and availability.	